

# BAKIRAL<sup>®</sup>

ESE LIGHTNING ROD PROTECTION SYSTEMS



ESE LIGHTNING ROD PROTECTION SYSTEMS

*“Reliable”*



NFC 17-102  
2017



**ALFA SJ 60  $\mu$ s**

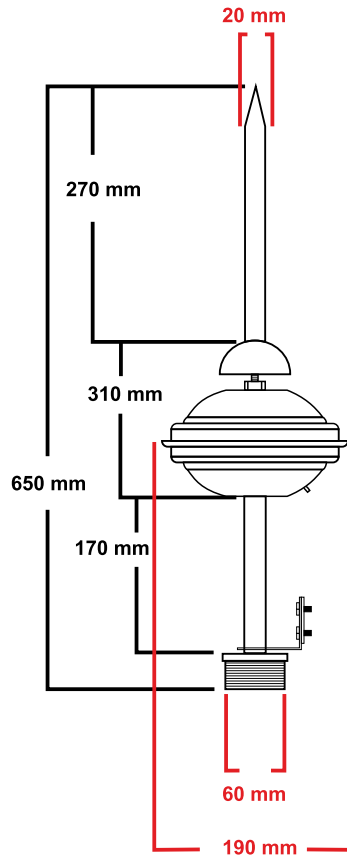
**PRINCIPLE & OPERATING**

Compact's principle is storing electrostatic energy present in the atmosphere at a stormy cloud approach, to release the ascending discharge excitation in good time.

This device operates at a stormy activity approach by an integrated sensor which measures the surrounding electrical field value.

It provokes then a polarity inversion of the lightning conductor head, creating a sudden amplification of the electrical field on its tip.

- 214 m protection diameter
- 304 l grade chrome high durability
- With convenient testing mechanism
- Remote testing option



Golden Head

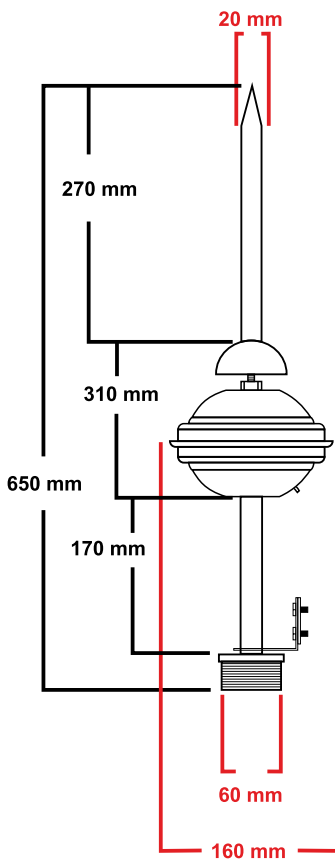


## PRINCIPLE & OPERATING

Compact's principle is storing electrostatic energy present in the atmosphere at a stormy cloud approach, to release the ascending discharge excitation in good time.

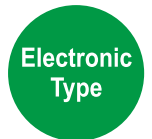
This device operates at a stormy activity approach by an integrated sensor which measures the surrounding electrical field value.

It provokes then a polarity inversion of the lightning conductor head, creating a sudden amplification of the electrical field on its tip.

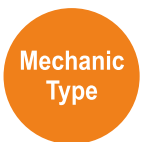


214 m protection diameter  
304 l grade chrome high durability  
With convenient testing mechanism  
Remote testing option

## ALFA SM 68 $\mu$ s



**THOR SM 67  $\mu$ s**



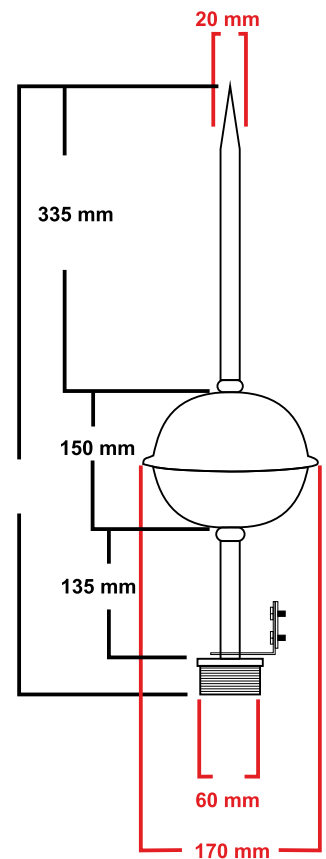
**PRINCIPLE & OPERATING**

Compact's principle is storing electrostatic energy present in the atmosphere at a stormy cloud approach, to release the ascending discharge excitation in good time.

This device operates at a stormy activity approach by an integrated sensor which measures the surrounding electrical field value.

It provokes then a polarity inversion of the lightning conductor head, creating a sudden amplification of the electrical field on its tip.

214 m protection diameter  
304 l grade chrome high durability  
With convenient testing mechanism  
Remote testing option

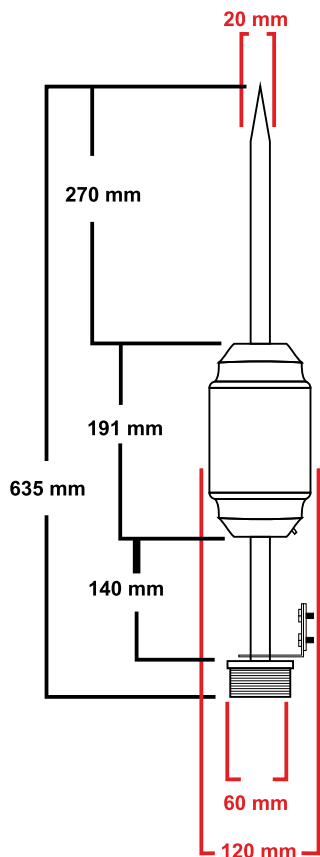


## PRINCIPLE & OPERATING

Compact's principle is storing electrostatic energy present in the atmosphere at a stormy cloud approach, to release the ascending discharge excitation in good time.

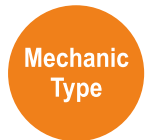
This device operates at a stormy activity approach by an integrated sensor which measures the surrounding electrical field value.

It provokes then a polarity inversion of the lightning conductor head, creating a sudden amplification of the electrical field on its tip.



214 m protection diameter  
304 l grade chrome high durability  
With convenient testing mechanism  
Remote testing option

## ZEUS S 65 $\mu$ s



## COUNTER



## Warranty

- 1- ESE lightning rod conductors made of stainless steel durable material according to corrosion 30 year warranty outside conditions.
- 2- ESE lightning rod manufactured according to appropriate NFC 17 102 France Standard (Appendix C) in laboratory test.
- 3- ΔL & ΔD results can be tested with lightning rod conductor test electronic device after montage.
- 4- ESE lightning rod conductor has a ISO 9001-2008, ISO14001:2004, OHSAS 18001-2007, CE Declaration of community certificates.
- 5- ESE lightning rod conductor is durable against high discharge electric current and lightning.
- 6- Product tested Vmin:988 kV in NFC 17 102 laboratory.
- 7- Invoice date is valid for starting warranty.
- 8- Periodic maintenance needs after montage by montage technical company (Wholesaler Distributor) every year.

**CONTROL TESTER**



STANDART  
CONTROL TESTER



434 MHZ. REMOTE  
CONTROL TESTER

**PRODUCTION SYSTEMS**

$$\sqrt{h \times (2 \times D - h) + \Delta T \times (2 \times D + \Delta T)}$$

**ZEUS - ΔT 65**

**ALFA SJ - ΔT 60**

**ALFA SM - ΔT 68**

**THOR S - ΔT 67**

The principal of operation for ESE terminals is to create an upward propagating streamer earlier than conventional air terminals or other objects on the earth by collecting and storing ground charge during the initial phase of a thunderstorm development and emits strong and consistent upwards streamers to intercept leaders.

A rod -type lightning conductor, connected to earth, efficiently works by altering, at its level, the equipotential which match the structures of the building it protects.

The emergence of the lightning conductor is an important factor in increasing the local electric field.

	2	3	4	5	6	10	15	20	30	45	60
LEVEL I	13	19	25	32	32	34	35	35	34	24	
	17	25	34	42	43	44	45	45	44	37	21
	19	29	38	48	48	49	50	50	49	43	30
	25	38	51	63	63	64	65	65	64	60	51
	31	47	63	79	79	79	80	80	79	76	69
LEVEL II	15	22	30	37	38	40	42	44	45	42	34
	20	29	39	49	49	51	53	54	55	53	46
	22	33	44	55	55	57	58	59	60	58	52
	28	42	57	71	71	72	73	74	75	73	69
	35	52	69	86	87	88	89	89	90	89	85
LEVEL III	18	27	36	45	46	49	52	55	58	60	58
	23	34	46	57	58	61	63	65	68	70	68
	25	38	51	63	64	66	69	71	73	75	73
	32	48	64	81	81	83	85	86	89	90	89
	39	58	78	97	97	99	101	102	104	105	104
LEVEL IV	20	31	41	51	52	56	60	63	69	73	75
	26	39	52	65	66	69	72	75	80	84	85
	28	43	57	71	72	75	78	81	85	89	90
	36	54	72	89	90	92	95	97	101	104	105
	43	64	85	107	107	109	111	113	116	119	120





T.C.  
TÜRK PATENT ENSTİTÜSÜ

# MARKA TESCİL BELGESİ

Marka No : 2011 49700 - Ticaret - Hizmet

**BAKIRAL®**

BAKIR - PARATONER - TERMOKAYNAK MALZEMELERİ LTD.ŞTİ.

Marka Sahibi : BAKIRAL ELEKTRİK METAL MAKİNA İNŞAAT  
TURİZM İTHALAT İHRACAT SANAYİ VE  
TİCARET LİMİTED ŞİRKETİ  
TÜRKİYE CUMHURİYETİ  
1204/6 SOKAK NO: 30 ÖMER ATLI İŞ MERKEZİ  
YENİŞEHİR - İZMİR

Emtiası : 06 , 35  
İlişiktir.

Markaların Korunması Hakkında 556 Sayılı Kanun Hükmünde  
Kararnameye göre 13/06/2011 tarihinden itibaren ON YIL müddetle  
05/10/2012 tarihinde tescil edilmiştir.



*E.H.B. AKIN*  
Enstitü Başkanı  
Markalar Dairesi Başkanı

TÜRK PATENT [ ] ENSTİTÜSÜ

**CERTIFICATES**



**MOSQUE (ALFA SJ)**



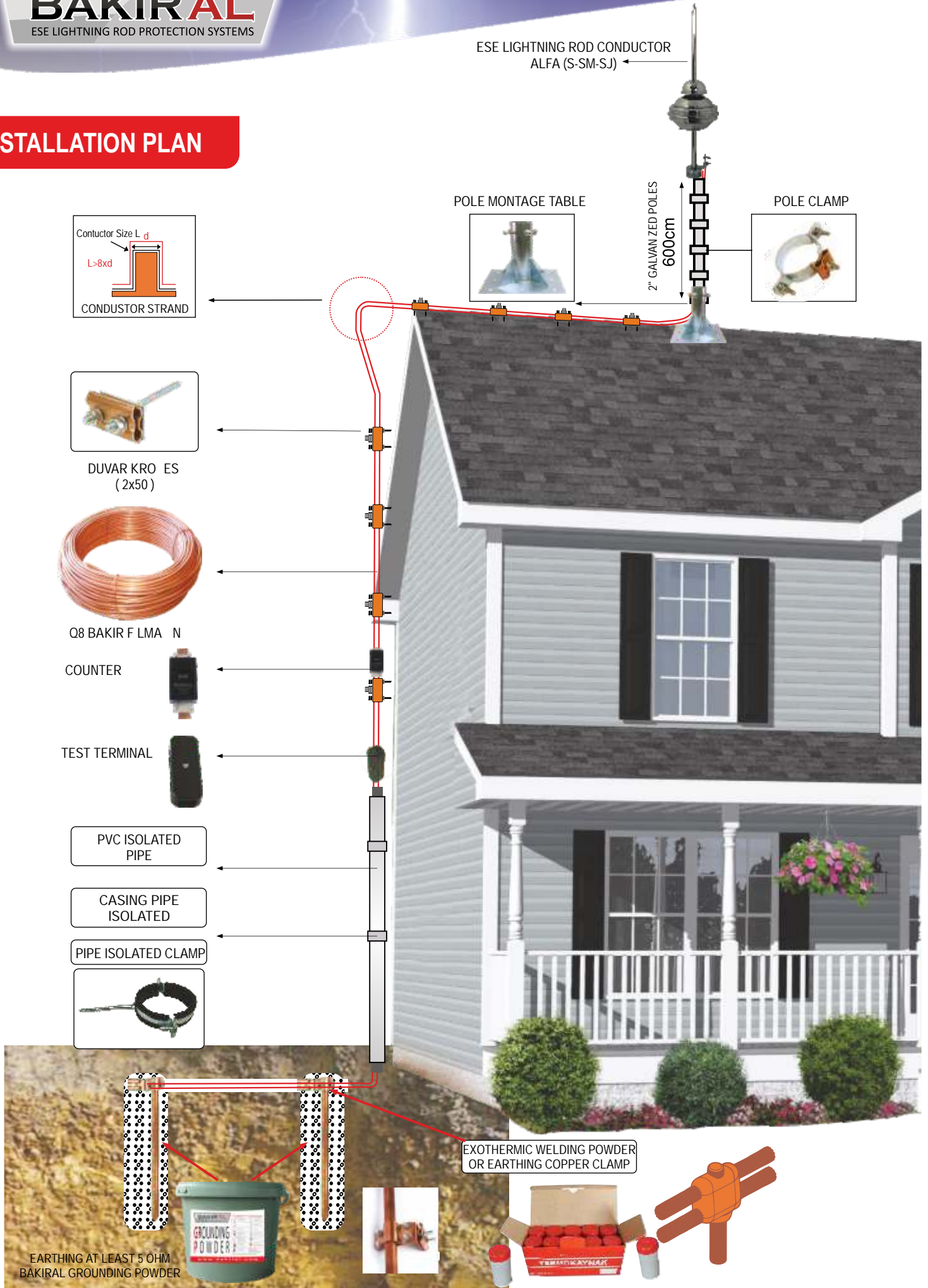
FABRICA





















**AZADI TOWER**



**INSTALLATION PLAN**



**MOUNTAGE EQUIPMENT**

POLE MONTAGE		MOSQUE CLAMP	
POLE MONTAGE OMEGA		CATCHER BASE	
POLE MONTAGE TABLE		COPPER CLAMP	
		TEST THERMINAL	
WALL CLIPS		EXOTHERMIC WELDING POWDER AND EQUIPMENT	
WALL CLIPS (U TYPE)		STATIC GROUNDING PLATE	
POLE CLAMP		TILE CLAMP	
CLAMP (Z TYPE)		ROF TILE CLAMP	
PYLON CLAMP		GROUNDING POWDER (10 KG.)	
CLAMP			



Distributed by



**CV. WIJAYA LIGHTNING PROTECTION**  
SUPPLIER & INSTALLATION

Lightning Protection - Grounding System  
Exothermic Welding - Electrical & Technical

Jl. Salemba Raya, Pasar Kenari Lama Lt.1 Blok AKS No.169, Jakarta Pusat 10430  
Telepon / Fax : ( 021 ) 3911912 Email : wijayalp2015@gmail.com

Website : <http://www.pusatgroundingindonesia.com>

*Bakiral Lightning Protection Systems Manufacturer is established in 2001 on principle of producing products with highest ratio of price and quality. According to this principle our company has engineered lightning protection systems that serving our clients in the best possible way of their needs. Our purpose is expending our sectoral client base and production volumes as much as possible while without losing our main principle of producing our products with highest quality and cheapest price.*

**BAKIRAL®**

BAKIR - TERMOKAYNAK VE PARATONER ÜRÜNLERİ

1204/6 Sokak No:30 Ömer Atlı İş Merkezi Yenışehir / İZMİR

Tel: 0.232 458 98 69 • Faks: 0.232 458 98 79

[www.bakiral.com](http://www.bakiral.com) [sales@bakiral.com](mailto:sales@bakiral.com) [bakiral35@gmail.com](mailto:bakiral35@gmail.com)